

Mouth and Tongue
Mund und Zunge
Bouche et langue
Boca y lengua
Bocca e lingua





EI2012.16
 16 cm
 Holz • wood •
 bois • madera • legno



FRENZEL
EI2015.16
 16,5 cm



BRUENINGS
EI2017.19
 19 cm



BUCHWALD
EI2019.19
 19 cm



HARTMANN
EI2111.15
 15 cm



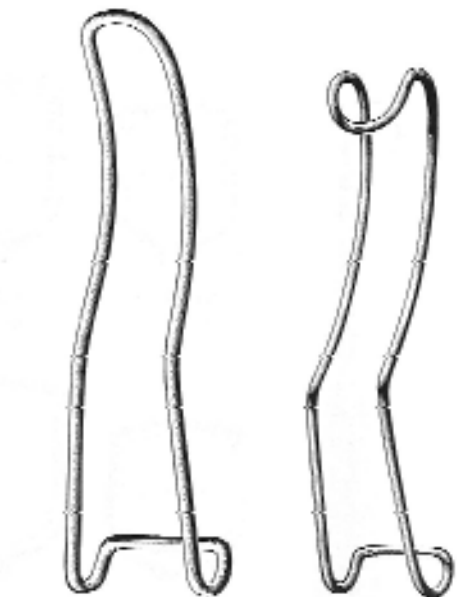
EI2115.01 **EI2115.02**
 Fig. 1, 14 cm Fig. 2, 15 cm

WIEDER
EI2115.01 - EI2115.02



ANDREW
EI2117.11
 11 cm

TOBOLD
EI2119.14
 14,5 cm



cm	STERNBERG	cm	STERNBERG
14	EI2227.14	12	EI2229.12
16	EI2227.16	14	EI2229.14
18	EI2227.18	16	EI2229.16



Pincas tire-langue • Pinzas tiralingua
Zungenzangen • Tongue Holding Forceps
Pinze tiralingua



EI2320.11
11 cm

EI2325.19
19 cm



cm	Collin
16	EI2520.16
18	EI2520.18



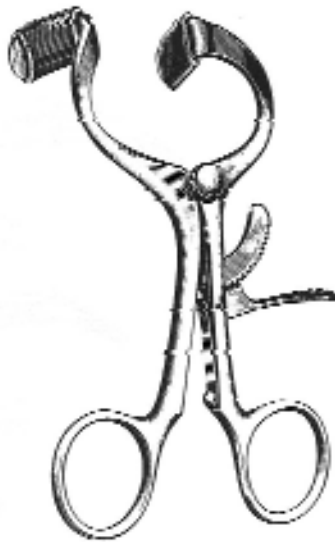
EI2525.99
Spare (Pair)
Ersatz (Paar)
Rechange (paire)
Repuesto (pareja)
Ricambio (coppia)

YOUNG
EI0525.16
16 cm

Ouvre-bouche • Abre bocas
Mundsperrer • Mouth Gags
Apribocca



DOYEN-JANSEN (MOLT)
EI2625.12
12 cm



DOYEN-JANSEN (MOLT)
EI2625.14
14 cm



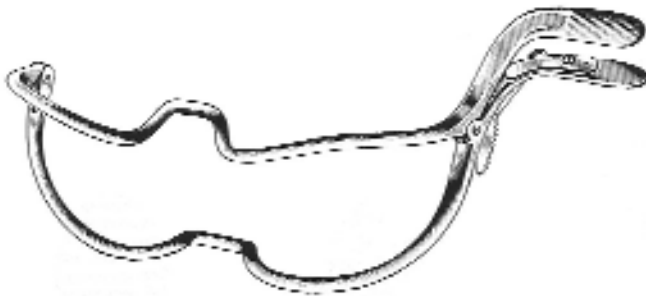
DENHART
EI2627.12
12 cm



cm	ROSER-KOENIG
16	EI2720.16
19	EI2720.19



HEISTER
EI2722.13
13 cm



cm	JENNINGS
9	EI2724.09
11	EI2724.11
13	EI2724.13
15	EI2724.15



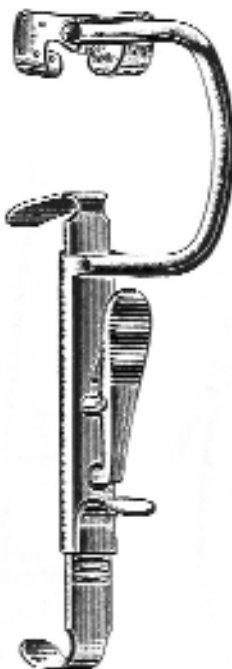
cm	WHITEHEAD
11	EI2820.11
13	EI2820.13
15	EI2820.15



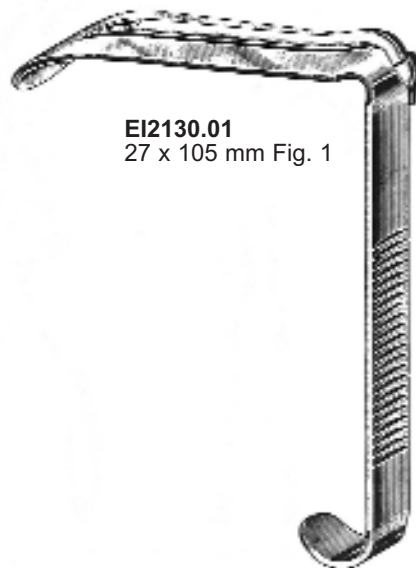
cm	WHITEHEAD
11	EI2821.11
13	EI2821.13
15	EI2821.15



cm	SEEMANN-SEIFFERT
9	EI2825.09
11	EI2825.11
13	EI2825.13
15	EI2825.15



EI2130.10



EI2130.01
27 x 105 mm Fig. 1

DAVIS-BOYLE
EI2130.00
compl.



EI2130.02
25 x 90 mm Fig. 2



EI2130.03
25 x 75 mm Fig. 3



EI2130.04
22 x 60 mm Fig. 4



EI2130.05
20 x 25 mm Fig. 5



EI2135.10



EI2135.01
28 x 65 mm
Fig. 1



EI2135.02
32 x 75 mm
Fig. 2

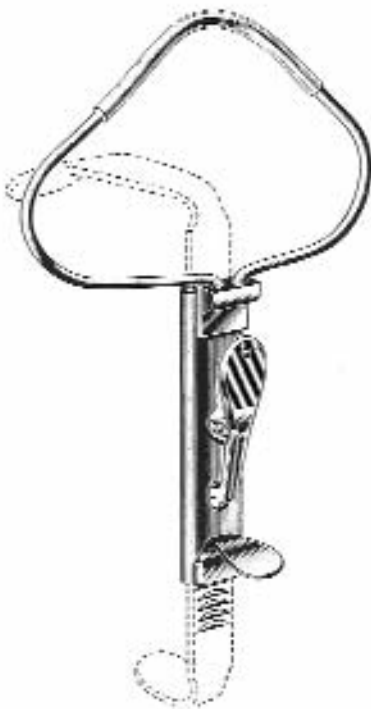


EI2135.03
37 x 80 mm
Fig. 3



EI2135.99

KILNER-DOUGHTY
EI2135.00
compl.



EI2230.10



EI2230.01
27 x 95 mm
Fig. 1



EI2230.02
22 x 85 mm
Fig. 2



EI2230.03
22 x 70 mm
Fig. 3

McIVOR
EI2230.00
compl.



MAUNDER
EI2630.10



PITHA
EI2635.10



LANGENBECK		
EI2731.01	EI2731.02	EI2731.03
Fig. 1	Fig. 2	Fig.3



links
left side
côté gauche
izquierda
lato sinistro

rechts
right side
côte droit
derecha
lato destro

cm	ROWE	ROWE	
22,5	EI2051.22	EI2053.22	Säugling • baby • bébé • bebé • lattante
23,5	EI2051.23	EI2053.23	Kinder • child • enfant • niño • bambino
24	EI2051.24	EI2053.24	Erwachsene • adult